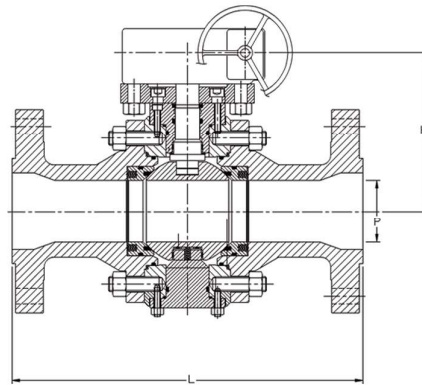
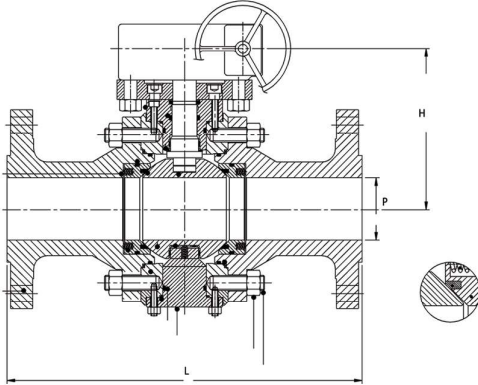




# BALL VALVES - 3 PIECE BALL VALVES - - 150#, 300#, 600#, 900#, 1500# FLOWTORQ & 2500#. Flanged & Butt Welded Ends

FLOWTORQ make 3 Piece design Ball Valves comes in cast three piece body in screwed, threaded and flanged types. A main body houses ball and stem and the 2 side pieces or adaptors house 1 seat each. Ideal in tight shut off applications from low pressures to high and very high pressure as well. These are preferred in heavy and bulky high pressure applications primarily. These ball valves are also designed and manufactured with extended stem for hot and cold cryogenic applications. 3 piece ball valves are designed and manufactured in smaller to higher sizes and are expensive as compared to 1 & 2 piece design for similar size and class variants.



| 150# - FULL BORE |     |      |      |     |             |  |
|------------------|-----|------|------|-----|-------------|--|
| Size (P)         |     |      |      |     |             |  |
| IN.              | MM  | L    | H    | F   | Weight (kg) |  |
| 1/2"             | 15  | 108  | 89   | 164 | 4.5         |  |
| 3/4"             | 20  | 118  | 98   | 164 | 6.8         |  |
| 1"               | 25  | 127  | 108  | 164 | 7           |  |
| 1.1/2"           | 40  | 165  | 127  | 210 | 9           |  |
| 2"               | 50  | 178  | 152  | 213 | 24          |  |
| 2.1/2"           | 65  | 191  | 178  | 213 | 28          |  |
| 3"               | 80  | 203  | 190  | 348 | 47          |  |
| 4"               | 100 | 229  | 229  | 445 | 86          |  |
| 6"               | 150 | 267  | 279  | 495 | 191         |  |
| 8"               | 200 | 292  | 343  |     | 357         |  |
| 10"              | 250 | 330  | 406  |     | 529         |  |
| 12"              | 300 | 610  | 822  |     | 794         |  |
| 14"              | 350 | 686  | 894  |     | 1120        |  |
| 16"              | 400 | 762  | 962  |     | 1473        |  |
| 18"              | 450 | 864  | 1138 |     | 1860        |  |
| 20"              | 500 | 914  | 1187 |     | 2589        |  |
| 22"              | 550 |      |      |     |             |  |
| 24"              | 600 | 1067 | 1291 |     | 4302        |  |

(Code - PV-10", 10"<-GEN)

| 150# - REDUCE BORE |     |      |      |     |             |  |
|--------------------|-----|------|------|-----|-------------|--|
| Size (P)           |     |      |      |     |             |  |
| IN.                | MM  | L    | H    | F   | Weight (kg) |  |
| 1/2"               | 9.5 | 108  | 51   | 164 | 3           |  |
| 3/4"               | 15  | 118  | 72   | 164 | 4.5         |  |
| 1"                 | 20  | 127  | 88   | 164 | 5           |  |
| 1.1/2"             | 32  | 165  | 100  | 210 | 6           |  |
| 2"                 | 40  | 178  | 123  | 213 | 8.5         |  |
| 2.1/2"             | 52  | 191  | 145  | 213 | 17          |  |
| 3"                 | 49  | 203  | 152  | 348 | 66          |  |
| 4"                 | 76  | 229  | 189  | 445 | 75          |  |
| 6"                 | 102 | 267  | 221  | 495 | 115         |  |
| 8"                 | 152 | 292  | 242  |     | 205         |  |
| 10"                | 203 | 330  | 278  |     | 375         |  |
| 12"                | 254 | 610  | 822  |     | 565         |  |
| 14"                | 305 | 686  | 894  |     | 825         |  |
| 16"                | 337 | 762  | 962  |     | 1250        |  |
| 18"                | 387 | 864  | 1138 |     | 1820        |  |
| 20"                | 438 | 914  | 1187 |     | 2450        |  |
| 22"                |     |      |      |     |             |  |
| 24"                | 589 | 1067 | 1291 |     | 2790        |  |

(Code - PV-10", 10"<-GEN)

| 300# - FULL BORE |     |      |      |     |             |  |
|------------------|-----|------|------|-----|-------------|--|
| Size (P)         |     |      |      |     |             |  |
| IN.              | MM  | L    | H    | F   | Weight (kg) |  |
| 1/2"             | 15  | 140  | 95   | 164 | 6           |  |
| 3/4"             | 20  | 152  | 117  | 164 | 9           |  |
| 1"               | 25  | 165  | 124  | 164 | 10          |  |
| 1.1/2"           | 40  | 190  | 155  | 210 | 17          |  |
| 2"               | 50  | 216  | 165  | 213 | 28          |  |
| 2.1/2"           | 65  | 241  | 190  | 213 | 38          |  |
| 3"               | 80  | 282  | 209  | 348 | 61          |  |
| 4"               | 100 | 305  | 254  | 445 | 100         |  |
| 6"               | 150 | 403  | 317  | 495 | 217         |  |
| 8"               | 200 | 419  | 381  |     | 387         |  |
| 10"              | 250 | 457  | 444  |     | 610         |  |
| 12"              | 300 | 648  | 822  |     | 882         |  |
| 14"              | 350 | 762  | 894  |     | 1296        |  |
| 16"              | 400 | 838  | 962  |     | 1687        |  |
| 18"              | 450 | 914  | 1138 |     | 2057        |  |
| 20"              | 500 | 991  | 1187 |     | 2872        |  |
| 22"              | 550 |      |      |     |             |  |
| 24"              | 600 | 1143 | 1272 |     | 5525        |  |

(Code - PV-10", 10"<-GEN)

| 300# - REDUCE BORE |     |      |      |     |             |  |
|--------------------|-----|------|------|-----|-------------|--|
| Size (P)           |     |      |      |     |             |  |
| IN.                | MM  | L    | H    | F   | Weight (kg) |  |
| 1/2"               | 9.5 | 140  | 88   | 164 | 5.5         |  |
| 3/4"               | 15  | 152  | 101  | 164 | 8           |  |
| 1"                 | 20  | 165  | 108  | 164 | 9           |  |
| 1.1/2"             | 32  | 190  | 120  | 210 | 15          |  |
| 2"                 | 40  | 216  | 138  | 213 | 25          |  |
| 2.1/2"             | 52  | 241  | 177  | 213 | 32          |  |
| 3"                 | 49  | 282  | 200  | 348 | 65          |  |
| 4"                 | 76  | 305  | 244  | 445 | 85          |  |
| 6"                 | 102 | 403  | 289  | 495 | 135         |  |
| 8"                 | 152 | 419  | 357  |     | 225         |  |
| 10"                | 203 | 457  | 421  |     | 385         |  |
| 12"                | 254 | 648  | 681  |     | 650         |  |
| 14"                | 305 | 762  | 822  |     | 995         |  |
| 16"                | 337 | 838  | 894  |     | 1460        |  |
| 18"                | 387 | 914  | 962  |     | 1925        |  |
| 20"                | 438 | 991  | 1138 |     | 2450        |  |
| 22"                |     |      |      |     |             |  |
| 24"                | 488 | 1143 | 1187 |     | 3250        |  |

(Code - PV-10", 10"<-GEN)

| 600# - FULL BORE |     |      |      |     |             |  |
|------------------|-----|------|------|-----|-------------|--|
| Size (P)         |     |      |      |     |             |  |
| IN.              | MM  | L    | H    | F   | Weight (kg) |  |
| 2"               | 50  | 292  | 225  | 210 | 33          |  |
| 2.1/2"           | 65  | 330  | 295  | 210 | 58          |  |
| 3"               | 80  | 356  | 296  | 250 | 75          |  |
| 4"               | 100 | 432  | 339  | 250 | 136         |  |
| 6"               | 150 | 559  | 547  | 250 | 300         |  |
| 8"               | 200 | 660  | 621  |     | 561         |  |
| 10"              | 250 | 787  | 727  |     | 828         |  |
| 12"              | 300 | 838  | 841  |     | 1238        |  |
| 14"              | 350 | 889  | 905  |     | 1532        |  |
| 16"              | 400 | 991  | 994  |     | 2137        |  |
| 18"              | 450 | 1092 | 1109 |     | 2595        |  |
| 20"              | 500 | 1194 | 1158 |     | 3454        |  |
| 22"              | 550 |      |      |     |             |  |
| 24"              | 600 | 1397 | 1293 |     | 6250        |  |

(Code - J)

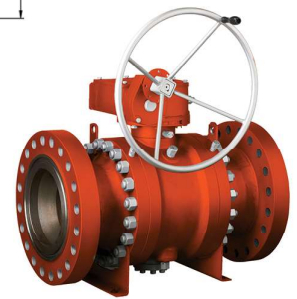
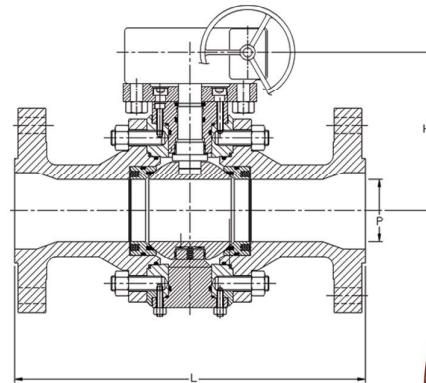
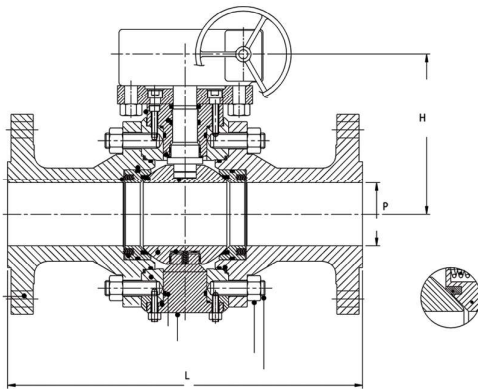
| 600# - REDUCE BORE |     |      |      |     |             |  |
|--------------------|-----|------|------|-----|-------------|--|
| Size (P)           |     |      |      |     |             |  |
| IN.                | MM  | L    | H    | F   | Weight (kg) |  |
| 2"                 | 40  | 292  | 201  | 210 | 30          |  |
| 2.1/2"             | 52  | 330  | 270  | 210 | 40          |  |
| 3"                 | 49  | 356  | 225  | 250 | 45          |  |
| 4"                 | 76  | 432  | 296  | 250 | 96          |  |
| 6"                 | 102 | 559  | 339  | 250 | 179         |  |
| 8"                 | 152 | 660  | 547  |     | 291         |  |
| 10"                | 203 | 787  | 621  |     | 612         |  |
| 12"                | 254 | 838  | 727  |     | 827         |  |
| 14"                | 305 | 889  | 841  |     | 1076        |  |
| 16"                | 337 | 991  | 905  |     | 1292        |  |
| 18"                | 387 | 1092 | 994  |     | 1678        |  |
| 20"                | 438 | 1194 | 1109 |     | 2220        |  |
| 22"                |     |      |      |     |             |  |
| 24"                | 488 | 1397 | 1158 |     | 3119        |  |

(Code - J)



# BALL VALVES - 3 PIECE BALL VALVES - - 150#, 300#, 600#, 900#, 1500# FLOWTORQ® & 2500#. Flanged & Butt Welded Ends

FLOWTORQ make 3 Piece design Ball Valves comes in cast three piece body in screwed, threaded and flanged types. A main body houses ball and stem and the 2 side pieces or adaptors house 1 seat each. Ideal in tight shut off applications from low pressures to high and very high pressure as well. These are preferred in heavy and bulky high pressure applications primarily. These ball valves are also designed and manufactured with extended stem for hot and cold cryogenic applications. 3 piece ball valves are designed and manufactured in smaller to higher sizes and are expensive as compared to 1 & 2 piece design for similar size and class variants.



| 900# - FULL BORE |     |      |      |   |             |
|------------------|-----|------|------|---|-------------|
| Size (P)         |     | L    | H    | F | Weight (kg) |
| IN.              | MM  |      |      |   |             |
| 2"               | 50  | 368  | 221  |   | 52          |
| 2.1/2"           | 65  | 419  | 295  |   | 75          |
| 3"               | 80  | 381  | 277  |   | 80          |
| 4"               | 100 | 457  | 321  |   | 170         |
| 6"               | 150 | 610  | 594  |   | 390         |
| 8"               | 200 | 737  | 686  |   | 640         |
| 10"              | 250 | 838  | 792  |   | 1070        |
| 12"              | 300 | 965  | 873  |   | 1610        |
| 14"              | 350 | 1029 | 926  |   | 1760        |
| 16"              | 400 | 1130 | 998  |   | 2240        |
| 18"              | 450 | 1219 | 1094 |   | 3000        |
| 20"              | 500 | 1321 | 1179 |   | 4360        |

(Code - J)

| 900# - REDUCE BORE |     |      |      |   |             |
|--------------------|-----|------|------|---|-------------|
| Size (P)           |     | L    | H    | F | Weight (kg) |
| IN.                | MM  |      |      |   |             |
| 2"                 | 40  | 368  | 275  |   | 40          |
| 2.1/2"             | 52  | 419  | 295  |   | 55          |
| 3"                 | 49  | 381  | 221  |   | 62          |
| 4"                 | 76  | 457  | 277  |   | 105         |
| 6"                 | 102 | 610  | 321  |   | 201         |
| 8"                 | 152 | 737  | 594  |   | 436         |
| 10"                | 203 | 838  | 686  |   | 735         |
| 12"                | 254 | 965  | 792  |   | 1200        |
| 14"                | 305 | 1029 | 873  |   | 1795        |
| 16"                | 337 | 1130 | 926  |   | 2105        |
| 18"                | 387 | 1219 | 998  |   | 2720        |
| 20"                | 438 | 1321 | 1094 |   | 4050        |

(Code - J)

| 1500# - FULL BORE |     |      |     |   |             |
|-------------------|-----|------|-----|---|-------------|
| Size (P)          |     | L    | H   | F | Weight (kg) |
| IN.               | MM  |      |     |   |             |
| 2"                | 50  | 368  | 275 |   | 51          |
| 2.1/2"            | 65  | 419  | 295 |   | 90          |
| 3"                | 80  | 473  | 293 |   | 98          |
| 4"                | 100 | 549  | 361 |   | 175         |
| 6"                | 150 | 711  | 637 |   | 491         |
| 8"                | 200 | 841  | 737 |   | 785         |
| 10"               | 250 | 1000 | 841 |   | 1464        |
| 12"               | 300 | 1146 | 964 |   | 2259        |

(Code - J)

| 1500# - REDUCE BORE |     |      |     |   |             |
|---------------------|-----|------|-----|---|-------------|
| Size (P)            |     | L    | H   | F | Weight (kg) |
| IN.                 | MM  |      |     |   |             |
| 2"                  | 40  | 368  | 250 |   | 50          |
| 2.1/2"              | 52  | 419  | 270 |   | 65          |
| 3"                  | 49  | 473  | 236 |   | 75          |
| 4"                  | 76  | 549  | 293 |   | 115         |
| 6"                  | 102 | 711  | 361 |   | 315         |
| 8"                  | 152 | 841  | 637 |   | 603         |
| 10"                 | 203 | 1000 | 737 |   | 876         |
| 12"                 | 254 | 1146 | 841 |   | 1691        |

(Code - J)

| 2500# - FULL BORE |     |      |     |   |             |
|-------------------|-----|------|-----|---|-------------|
| Size (P)          |     | L    | H   | F | Weight (kg) |
| IN.               | MM  |      |     |   |             |
| 2"                | 50  | 454  | 275 |   | 110         |
| 2.1/2"            | 65  | 508  | 335 |   | 210         |
| 3"                | 80  | 584  | 333 |   | 215         |
| 4"                | 100 | 683  | 401 |   | 385         |
| 6"                | 150 | 927  | 712 |   | 840         |
| 8"                | 200 | 1038 | 851 |   | 1435        |

(Code - J)

| 2500# - REDUCE BORE |     |      |     |   |             |
|---------------------|-----|------|-----|---|-------------|
| Size (P)            |     | L    | H   | F | Weight (kg) |
| IN.                 | MM  |      |     |   |             |
| 2"                  | 40  | 451  | 295 |   | 85          |
| 2.1/2"              | 52  | 508  | 300 |   | 180         |
| 3"                  | 49  | 584  | 275 |   | 213         |
| 4"                  | 76  | 683  | 333 |   | 250         |
| 6"                  | 102 | 927  | 401 |   | 520         |
| 8"                  | 152 | 1038 | 712 |   | 1000        |

(Code - J)

