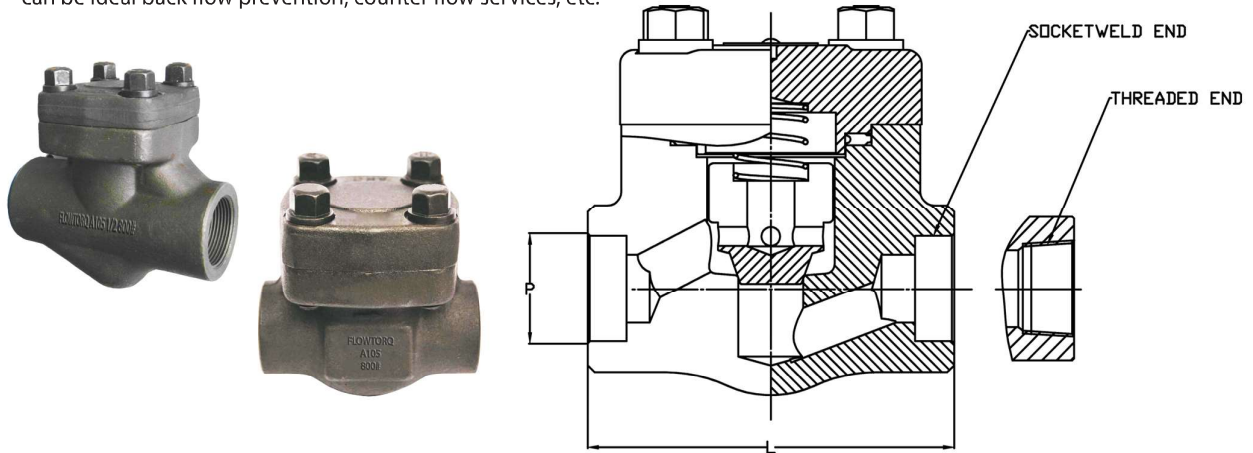




CHECK VALVES - FORGED STEEL LIFT CHECK VALVES - 800#, 1500# & 2500#. Socket Weld / Threaded Ends



FLOWTORQ Forged Steel lift check valves are manufactured with highest quality steel forgings. Forged form valves are used widely in high pressure applications in smaller sizes like 1/4" to 2" in ratings upto 4500#. Usually are manufactured in socket welded, threaded and welded flanged types as per client application requirement. Forged Steel check valves can be ideal back flow prevention, counter flow services, etc.



| | |
|-----------------------------------|----------------------------|
| Design and Manufacturing Standard | BS5352 |
| Testing Standard | API598 |
| Face to Face Standard | ANSI B 16.11 / ANSI B 16.5 |
| End Connections | NPT, Socket Weld / Flanged |

| 800# - Socket Weld | | | | | |
|--------------------|------|------|-----|--------|-----|
| Size | 1/2" | 3/4" | 1" | 1 1/2" | 2" |
| L | 87 | 92 | 106 | 127 | 142 |
| H | 53 | 56 | 66 | 86 | 104 |
| P | 9 | 12 | 17 | 25 | 29 |
| Weight Kg | 1 | 1.3 | 2.2 | 4.7 | 8.2 |

| 1500# - Socket Weld | | | | |
|---------------------|------|------|-----|--------|
| Size | 1/2" | 3/4" | 1" | 1 1/2" |
| L | 92 | 106 | 127 | 142 |
| H | 56 | 66 | 86 | 104 |
| P | 8 | 9 | 14 | 25 |
| Weight Kg | 1.5 | 2.5 | 5.6 | 9 |

| 2500# - Socket Weld | | | | |
|---------------------|------|------|------|--|
| Size | 1/2" | 3/4" | 1" | |
| L | 106 | 127 | 142 | |
| H | 66 | 86 | 104 | |
| P | 7 | 8 | 12 | |
| Weight Kg | 2.9 | 6.4 | 10.8 | |

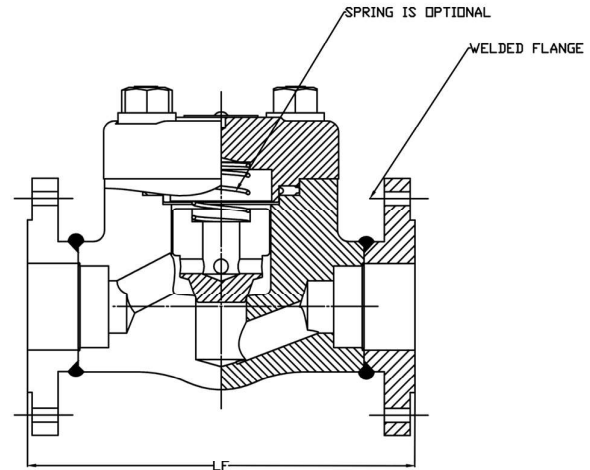
(Code-AHV)



CHECK VALVES - FORGED STEEL LIFT CHECK VALVES - 150#, 300# & 600#. Welded Flange Ends



FLOWTORQ Forged Steel lift check valves are manufactured with highest quality steel forgings. Forged form valves are used widely in high pressure applications in smaller sizes like 1/4" to 2" in ratings upto 4500#. Usually are manufactured in socket welded, threaded and welded flanged types as per client application requirement. Forged Steel check valves can be ideal back flow prevention, counter flow services, etc.



| | |
|-----------------------------------|----------------------------|
| Design and Manufacturing Standard | BS5352 |
| Testing Standard | API598 |
| Face to Face Standard | ANSI B 16.11 / ANSI B 16.5 |
| End Connections | NPT, Socket Weld / Flanged |

| 150# - Welded Flange | | | | | |
|----------------------|------|------|-----|--------|-----|
| Size | 1/2" | 3/4" | 1" | 1 1/2" | 2" |
| L | 108 | 117 | 127 | 165 | 203 |
| H | 53 | 56 | 66 | 86 | 104 |
| P | 9 | 12 | 17 | 25 | 29 |
| Weight Kg | 2.2 | 2.9 | 4.4 | 7.9 | 12 |

| 300# - Welded Flange | | | | | |
|----------------------|------|------|-----|--------|------|
| Size | 1/2" | 3/4" | 1" | 1 1/2" | 2" |
| L | 152 | 178 | 293 | 229 | 267 |
| H | 53 | 56 | 66 | 86 | 104 |
| P | 9 | 12 | 17 | 25 | 29 |
| Weight Kg | 2.4 | 3.1 | 4.6 | 8.1 | 12.2 |

| 600# - Welded Flange | | | | | |
|----------------------|------|------|-----|--------|------|
| Size | 1/2" | 3/4" | 1" | 1 1/2" | 2" |
| L | 165 | 190 | 216 | 241 | 292 |
| H | 53 | 56 | 66 | 86 | 104 |
| P | 9 | 12 | 17 | 25 | 29 |
| Weight Kg | 2.6 | 3.3 | 4.8 | 8.3 | 12.5 |

(Code-AHV)