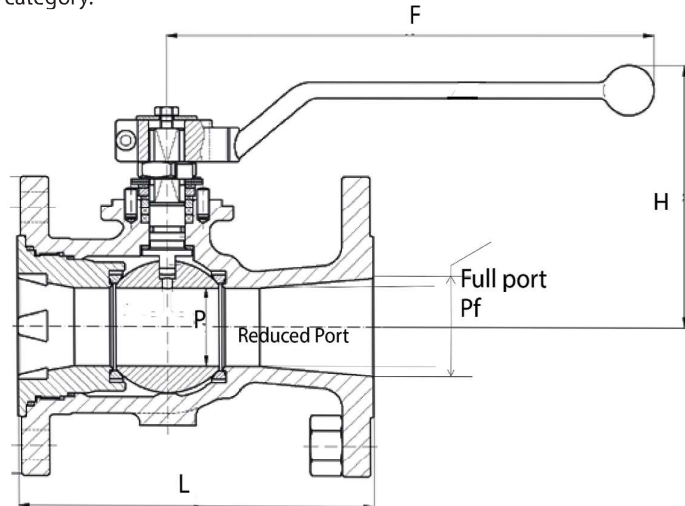




BALL VALVES - 1 PIECE BALL VALVES - 150# & 300#



FLOWTORQ make 1 Piece design Ball Valves comes in cast single piece body in screwed, threaded and flanged types. A single body houses ball, stem, seats and retainers wherever applicable. Ball Valves are ideal in tight shut off applications in high pressure as well as low pressure services. 1 piece ball valves are designed and manufactured for limited sizes and are inexpensive as compared to other variants in its category.



| 150# | | | | | |
|----------|-----|-----|-----|-----|-------------|
| Size (P) | | L | H | F | Weight (kg) |
| IN. | MM | | | | |
| 1/2" | 15 | 108 | 90 | 164 | 1.6 |
| 3/4" | 20 | 118 | 90 | 164 | 2.1 |
| 1" | 25 | 127 | 95 | 164 | 2.7 |
| 1.1/4" | 32 | 140 | 95 | 210 | 4.8 |
| 1.1/2" | 40 | 165 | 100 | 210 | 5.1 |
| 2" | 50 | 178 | 125 | 213 | 7.9 |
| 2.1/2" | 65 | 191 | 140 | 213 | 14.3 |
| 3" | 80 | 203 | 175 | 348 | 25.9 |
| 4" | 100 | 229 | 195 | 445 | 43.8 |
| 6" | 150 | 267 | 269 | 495 | 77 |
| 8" | 200 | 292 | 320 | 698 | 114 |
| 10" | 250 | 330 | 405 | 698 | 230 |

(Code - GEN)

Weights mentioned are approximate nearest

| 300# | | | | | |
|----------|-----|-----|-----|-----|-------------|
| Size (P) | | L | H | F | Weight (kg) |
| IN. | MM | | | | |
| 1/2" | 15 | 140 | 90 | 164 | 1.6 |
| 3/4" | 20 | 152 | 90 | 164 | 2.1 |
| 1" | 25 | 165 | 101 | 164 | 4.1 |
| 1.1/4" | 32 | 178 | 110 | 210 | 6 |
| 1.1/2" | 40 | 190 | 117 | 210 | 8.2 |
| 2" | 50 | 216 | 134 | 213 | 10.9 |
| 2.1/2" | 65 | 241 | 149 | 213 | 21.4 |
| 3" | 80 | 282 | 189 | 348 | 28.9 |
| 4" | 100 | 305 | 195 | 445 | 70 |
| 6" | 150 | 403 | 257 | 495 | 110 |
| 8" | 200 | 419 | 329 | 698 | 129 |
| 10" | 250 | 457 | 380 | 698 | 148 |

(Code - GEN)

Weights mentioned are approximate nearest

| | |
|-----------------------------------|----------------|
| Design and Manufacturing Standard | BS5351, API602 |
| Testing Standard | API598 |
| Face to Face Standard | ANSI B 16.10 |
| End Connections | BSP, BSPT, NPT |

