

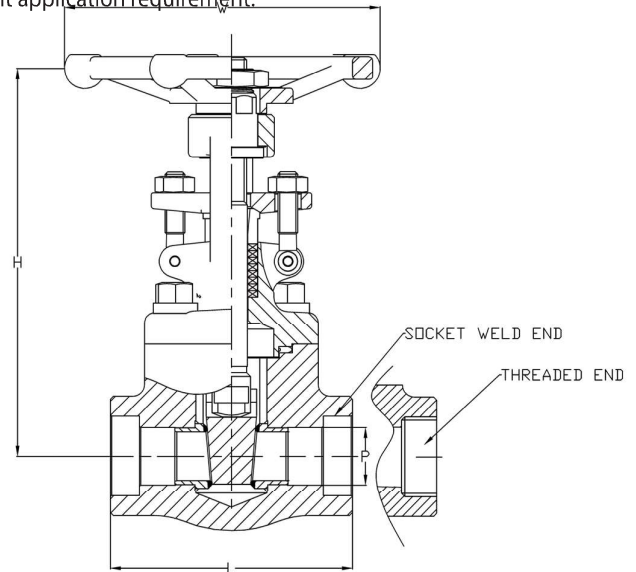


GATE VALVES - FORGED STEEL GATE VALVES - 800#, 1500# & 2500#



Socket Weld / Threaded Ends

FLOWTORQ Forged Steel gate valves are manufactured with highest quality steel forgings. Forged form valves are used widely in high pressure applications in smaller sizes like 1/4" to 2" in ratings upto 4500#. Usually are manufactured in socket welded, threaded and welded flanged types as per client application requirement.



Design and Manufacturing Standard	API602
Testing Standard	API598
Face to Face Standard	ANSI B 16.11 / ANSI B 16.5
End Connections	NPT, Socket Weld / Flanged

800# - Socket Weld					
Size	1/2"	3/4"	1"	1 1/2"	2"
L	87	92	106	127	142
H	152	158	189	239	288
P	9.5	12.7	17.5	28.6	36.5
W	96	96	96	150	150
Weight (kg)	1.6	1.9	3	6.1	9.8

1500# - Socket Weld				
Size	1/2"	3/4"	1"	1 1/2"
L	92	106	127	142
H	158	189	239	288
P	9.5	12.7	17.5	28.6
W	96	96	150	150
Weight (kg)	2.2	3.5	7.5	11.6

2500# - Socket Weld			
Size	1/2"	3/4"	1"
L	106	127	142
H	189	239	288
P	7	12.5	15.5
W	96	150	150
Weight (kg)	4.1	8.4	13

(Code-AHV)

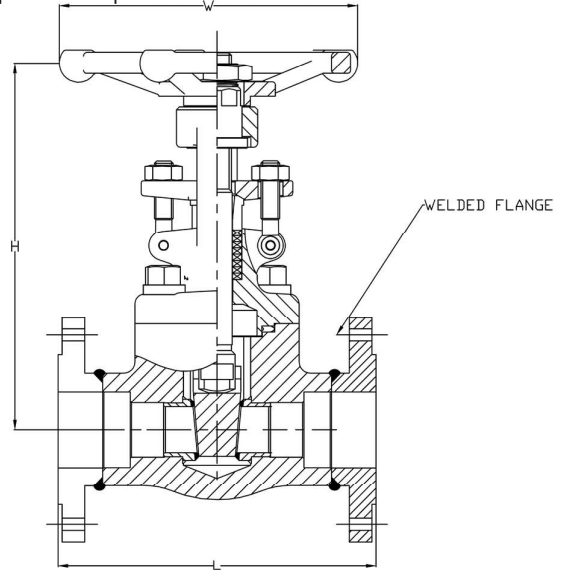


GATE VALVES - FORGED STEEL GATE VALVES - 150#, 300# & 600#



Welded Flange Ends

FLOWTORQ Forged Steel gate valves are manufactured with highest quality steel forgings. Forged form valves are used widely in high pressure applications in smaller sizes like 1/4" to 2" in ratings upto 4500#. Usually are manufactured in socket welded, threaded and welded flanged types as per client application requirement.



Design and Manufacturing Standard	API602
Testing Standard	API598
Face to Face Standard	ANSI B 16.11 / ANSI B 16.5
End Connections	NPT, Socket Weld / Flanged

150# - Welded Flange					
Size	1/2"	3/4"	1"	1 1/2"	2"
L	108	117	127	165	178
H	152	158	189	239	288
P	9.5	12.7	17.5	28.6	36.5
W	96	96	96	150	150
Weight (kg)	2.2	2.9	4.4	7.9	12

300# - Welded Flange					
Size	1/2"	3/4"	1"	1 1/2"	2"
L	140	152	165	190	216
H	152	158	189	239	288
P	9.5	12.7	17.5	28.6	36.5
W	96	96	96	150	150
Weight (kg)	2.4	3.1	4.6	8.1	12.2

600# - Welded Flange					
Size	1/2"	3/4"	1"	1 1/2"	2"
L	165	190	216	241	292
H	152	158	189	239	288
P	9.5	12.7	17.5	28.6	36.5
W	96	96	96	150	150
Weight (kg)	2.6	3.3	4.8	8.3	12.5

(Code-AHV)

