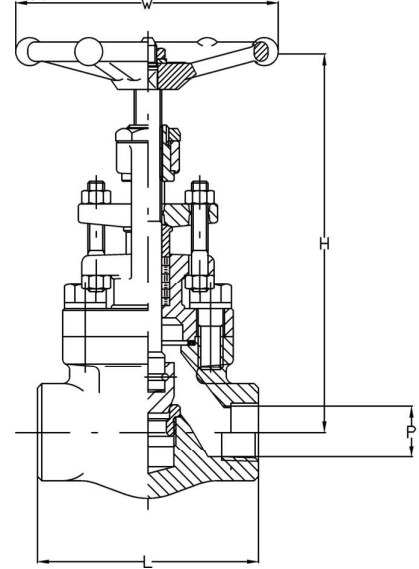




GLOBE VALVES - FORGED STEEL GLOBE VALVES - 800#, 1500# & 2500# FLOWTORQ

Socket Weld / Threaded Ends

FLOWTORQ Forged Steel globe valves are manufactured with highest quality steel forgings. Forged form valves are used widely in high pressure applications in smaller sizes like 1/4" to 2" in ratings upto 4500#. Usually are manufactured in socket welded, threaded and welded flanged types as per client application requirement. Forged Steel globe valves can be ideal in high pressure modulation and control application services, high pressure bypass services, etc.



Design and Manufacturing Standard	BS5352
Testing Standard	API598
Face to Face Standard	ANSI B 16.11 / ANSI B 16.5
End Connections	NPT, Socket Weld / Flanged

800# - Socket Weld					
Size	1/2"	3/4"	1"	1 1/2"	2"
L	87	92	106	127	142
H	147	149	182	208	245
P	9	12	17	25	29
W	96	96	96	150	150
Weight Kg	1.6	1.9	3	6.1	9.8

1500# - Socket Weld				
Size	1/2"	3/4"	1"	1 1/2"
L	92	106	127	142
H	158	194	222	263
P	8	9	14	25
W	96	96	150	150
Weight Kg	2.2	3.5	7.5	11.6

2500# - Socket Weld				
Size	1/2"	3/4"	1"	
L	106	127	142	
H	194	222	263	
P	7	8	12	
W	96	96	150	
Weight Kg	4	8.6	13.3	

(Code-AHV)

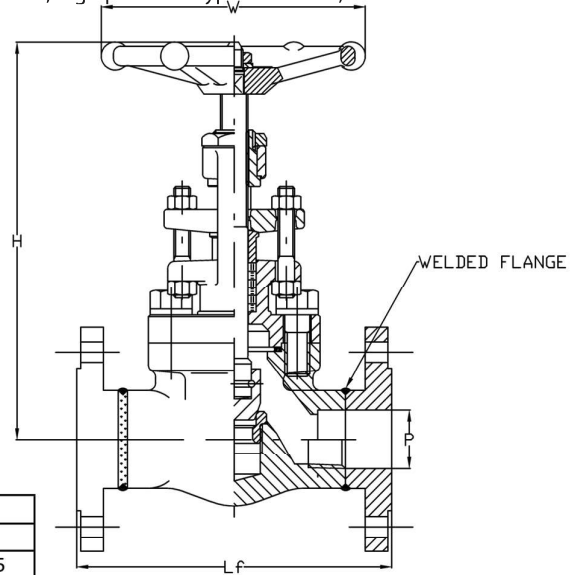


GLOBE VALVES - FORGED STEEL GLOBE VALVES - 150#, 300# & 600#



Welded Flange Ends

FLOWTORQ Forged Steel globe valves are manufactured with highest quality steel forgings. Forged form valves are used widely in high pressure applications in smaller sizes like 1/4" to 2" in ratings upto 4500#. Usually are manufactured in socket welded, threaded and welded flanged types as per client application requirement. Forged Steel globe valves can be ideal in high pressure modulation and control application services, high pressure bypass services, etc.



Design and Manufacturing Standard	BS5352
Testing Standard	API598
Face to Face Standard	ANSI B 16.11 / ANSI B 16.5
End Connections	NPT, Socket Weld / Flanged

150# - Welded Flange					
Size	1/2"	3/4"	1"	1 1/2"	2"
L	108	117	127	165	203
H	153	158	194	222	263
P	9	12	17	25	29
W	96	96	96	150	150
Weight Kg	2.2	2.9	4.4	7.9	12

300# - Welded Flange					
Size	1/2"	3/4"	1"	1 1/2"	2"
L	152	178	293	229	267
H	153	158	194	222	263
P	9	12	17	25	29
W	96	96	96	150	150
Weight Kg	2.4	3.1	4.6	8.1	12.2

600# - Welded Flange					
Size	1/2"	3/4"	1"	1 1/2"	2"
L	165	190	216	241	292
H	153	158	194	222	263
P	9	12	17	25	29
W	96	96	96	150	150
Weight Kg	2.6	3.3	4.8	8.3	12.5

(Code-AHV)

